

Fred Meyer
834 Shennecossett Road
Groton, CT 06340
News Letter Editor



Next Meeting is Tuesday March 21th @ 7:00PM.
The New meeting location is the new Salem Library
Located on Rt 85 about one mile North of the Salem
Four Corners.

February 2006 NEWSLETTER

Visit RC Propbusters online at:
<http://www.rcpropbusters.com>

TIME TO VOLUNTEER TO HELP OUT AT THE 2006 EVENTS, CONTACT THE CD.

Tip of the Month

If you want a great new Club Jacket, fill out the form in the newsletter and send it in with a check. These are baseball type quilt lined jackets with a zipper front. Large



On the back and your name on the front. Black with yellow embroidery

PLEASE SEND YOUR SALES ITEMS OR ANYTHING YOU WOULD LIKE TO CONTRIBUTE TO OUR NEWSLETTER TO:

FRED MEYER
834 SHENNECOSSETT ROAD
GROTON, CT 06340
TEL: 860-445-7694 :::: FAX 860-448-2868
E-MAIL: FANDPM@TVCONNECT.NET OR
FMEYER@RCPROPbusters.COM

CONSTRUCTION ARTICLES, COMMENTS, POTENTIAL NEW FLYING SITES WE SHOULD LOOK INTO, RECOMMENDATIONS HOW TO IMPROVE OUR NEWSLETTER OR OUR CLUB, EVENTS COMING UP AT OTHER CLUBS OR AIR SHOWS, ETC. THIS IS YOUR NEWSLETTER SO PLEASE USE IT.

The House Of Balsa Dust (thanks to Carl Barker for bring this to our attention)

Vanessa CG Machine

Note : The 'Vanessa CG Machine' was I believe designed by the late Jim Archer, a modeler in the truest sense of the word "amateur", one who loves the hobby. It is offered here in memoriam to Jim so that others may benefit from his contributions to aeromodeling.

Centre of Gravity

Where it is located on your model aircraft is one of the most important factors in determining how well it flies. It is also one of the most difficult parameters to measure as anyone will attest who has tried to balance a low wing monoplane on a pair of pencils stuck in a 2 x 4.

If you want to know where the C.G. is located on almost any configuration of model plane accurately, and I mean within a sixteenth of an inch, make this device. I've been using it for many years on everything from a 1/2A two channel to a 26 pound 1/4 scale Tiger Moth. It works every time, is fairly simple to use, and it's accurate. It can be made of almost anything kicking around the workshop, a piece of 1 x 2 (or 2 x 2) wood about a foot long; a piece of 1/4 or 3/8 dowel also about a foot long; some flexible but strong rope about 1/8" in diameter; a pulley you can hook up to the ceiling (preferably over a bench where your plane can sit), and a little plumb bob.

Drill a hole parallel to the long dimension near the end of the 1 x 2. It must be snug enough so that you can just turn the dowel by hand. If it is too loose put a saw-cut through the hole and a bit beyond it, and a bolt with a wing nut (as shown in Fig. A) so that it can be adjusted by hand. A hole in the other end for the "hanging rope," a pulley, and two nails in a stud to snub the "hanging rope," and that part is ready.

Next, make two equal loops of soft rope or cord to support the model. The pair I use are 40" in circumference, and they handle most 40 to 60 size models. Cut two pieces of soft cord 40" long and tie the ends together. Pull them taut over your index fingers to make sure that the lengths are equal, and then put a drop of CA on each knot to assure they stay forever.

Now make a small plumb bob. I made one out of a 2" length of 3/8" dia. aluminium rod. I chucked it in a drill press and filed a point on one end. A small axial hole at the other end and a cross-hole made a neat place to tie a piece of string or thread. I discovered later that wallpaper stores sell cute little lead bobs that are perfect. About a foot and a half of thread tied in a slipknot will allow you to adjust the height of the plumb bob.

To use this marvelous device, place the model aircraft on the bench with the centre of the wing more or less below the pulley in the ceiling. Lower the dowel and support to a couple of inches above the wing. Place the 40" loops around the wing as shown in Fig. C or D, and wrap them around the dowel 4 or 5 times (same on both sides). Since the C.G. is normally well forward of the centre of the chord of the wing, there will be more weight on the forward side of the loop than the rear, and the angle of dangle will be different fore and aft. Thus the rope would like to slip forward, but the wraps around the dowel provide enough friction to prevent this. Put the plumb bob string over the dowel. Usually it is more convenient to have the plumb bob on the inside of the loop, hanging over the fuselage, or wing root.

Carefully hoist the model a couple of inches off the bench. Steady it until it reaches a state of equilibrium. By hand rotating the dowel in its hole, adjust the model to a level flight attitude. An important detail in using this device is to have the dowel parallel to the wing spar.

Adjust the slipknot on the plumb bob so that it hangs just above the model and - Voila! - It points to the Center of Gravity. Since all of the weight of the model is being supported by the dowel, the C.G. will be directly beneath the dowel (where- the plumb bob is pointing).

Put a piece of masking tape on the model where the plumb bob is pointing, and mark the spot with a felt tip pen. Or better still; put the tape on before you hoist the model, mark where the C.G. should be, and then get the good/bad news when you hoist it. While it is still up there, you can add weight to the nose or tail, adjust the attitude to level flight again by rotating the dowel, and see before your very eyes where the C.G. has moved to. After a couple of tries you should know exactly how much weight to put where.

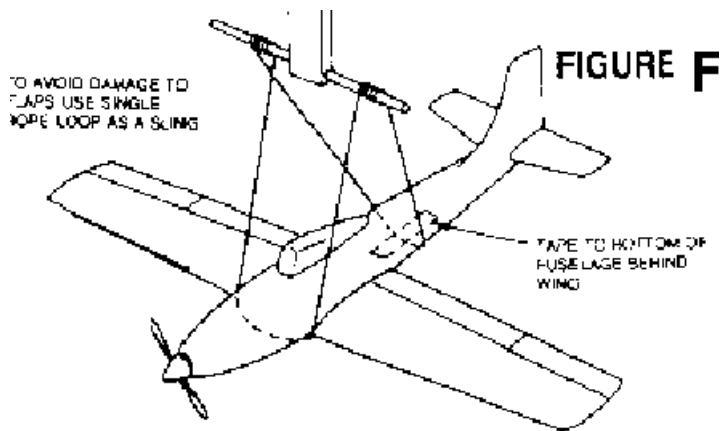
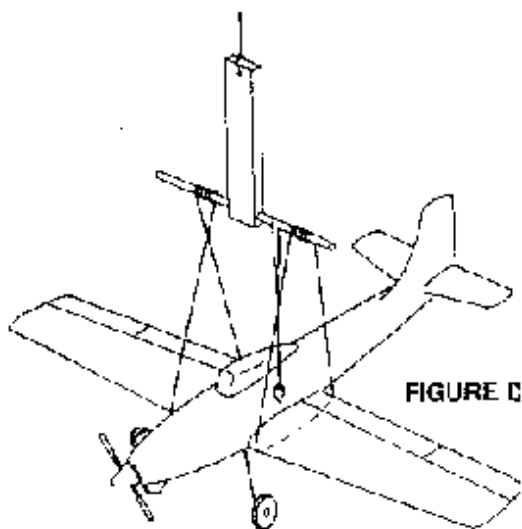
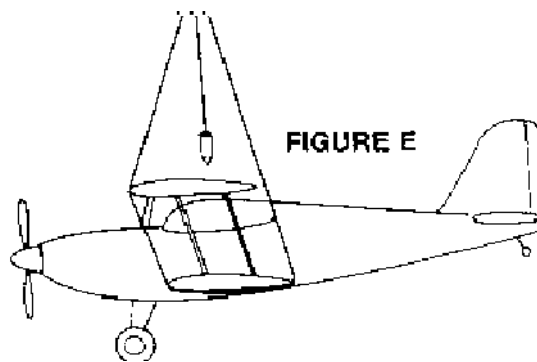
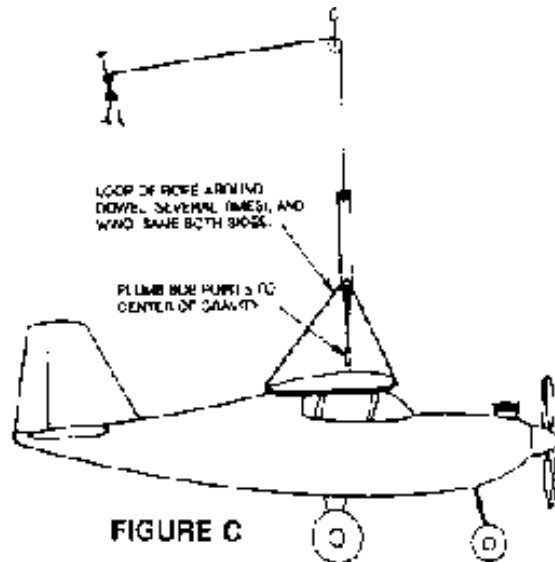
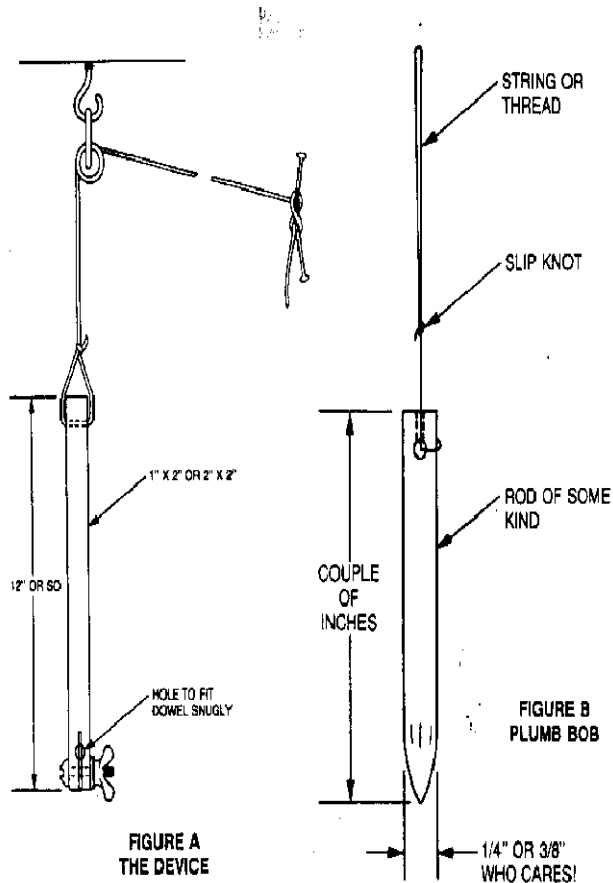
Versatility.

Fig. C shows a high wing trainer, but the device works equally well with a low or mid wing pattern type aircraft (Fig. D). With a biplane, just put the loop around both wings (Fig. E). You say you have a J3 Cub with wing struts that get in the way! No problem; make a pair of 40" ropes with a loop at one end and a little wire hook at the other end. Feed this under the wing, around the dowel, and put the hook in the loop.

If you have flaps or strip ailerons that come close to the fuselage, and may not support the weight put on them by the ropes, a couple of things can be done. Make a single large loop of rope and sling it under the fuselage fore and aft of the wing as shown in Fig. F. Tape the rope to the bottom of the fuselage, far enough behind the wing to keep the rope off the trailing edge. Or cut a piece of balsa (or Styrofoam, or aluminum) an inch or so wide and a bit longer than the

chord of the wing at the root. Place this under the wing with the rope beneath. Make sure they stay in place as you hoist the model. A delta can be tested with the single loop fuselage sling method (Fig. F) by putting a strip of 3/32" balsa beneath the fuselage. The strip must be long enough to be held by the front sling, and protrude behind the wing for the rear sling.

Take a few minutes to put one of these things together. The dimensions and the materials are almost unimportant. It's the configuration and gravity that do the job. From then on you will know exactly where the Center of Gravity is. Where it should be or where you like it to be is your problem.



TO AVOID DAMAGE TO FLAPS USE SINGLE ROPE LOOP AS A SLING

FIGURE F

TAPE TO BOTTOM OF FUSELAGE BEHIND WING

CHECK OUT OUR NEW WEB SITE. RICH IPPILITO IS DOING A FANTASTIC JOB. E-MAIL BOXES ARE AVAILABLE, WE HAVE A FORUM TO SHARE IDEAS AND HELP EACH OTHER, MANY PHOTOS ARE ON THE WEB SITE AND IT IS ALL YOURS TO USE AND ENJOY. JOIN THE FUN, SEND IN PICTURES TO RICH OR TO FRED MEYER OR POST THEM IN THE FORUM.

The following members either need to authorize accepting mail from the 3 addresses below, or send me your correct e-mail address.

Charles Lewis (allow)	Carl Thane Jr. (need correct address)
Kelvin Pelletier (need correct address)	David Kutner (need correct address)
Pete Plenninger (allow)	Don Clark (need new address)
Bob Haines (need new address)	Frank Benedetto (need new address)

fmeyer@rcpropbusters.com

fandpm@tvconnect.net

admin@rcpropbusters.com

For Sale

1. Thunder Tiger trainer, Webra .50 2C, Futaba RX on Ch 38, all in good shape \$150.00 OBO
2. N.I.B. BIY Lazer cut kit for 60" Ultimate Pitts Biplane by Lanier. \$95.00 OBO.
5. Vultee Vigilant L1-A, 74" 1940 era high wing observation plane, Saito .91, Airtronics internals, Solartex covering, flaps & leading edge slots. Low time, great shape, \$300.00 complete or \$250.00 W/O Rx OBO.
6. 84" Flybaby built from a Dynaflite Kit, added flaps, Solartex fabric, 3 pc wing for easy transport, set up for an OS 1.60 twin but a good 1.20 4Cycle would do the job (have a spare cowling, new) low time, great shape, \$300.00 W/O engine OBO.
7. NIB Super Tiger 2000, radial mount included, \$80.00 OBO.
8. 52" American Ace, a 1940 Henry Struck FF design built from plans with 3 channel RC assist, Fox .15 power, a real floater. \$150.00 OBO.

"COME TAKE A LOOK, YOU MIGHT LIKE WHAT YOU SEE"

Call Bob Haines at 860-367-0632 or visit him at 22 Heather Brooks Rd., Uncasville, CT

1/3 scale cub (THIS IS A GREAT DEAL, GO SEE IT)

- 4 - $\frac{1}{4}$ scale Futaba servos with Metal Gears
- 1 - Fuji 50cc gas engine with spring starter New in Box
- 1 - J-3 cowl
- 1 - PA-12 cowl
- 1 - Set of Balsa USA struts for 1/3 scale Cub. Need fabrication.
- 1 - fuel tank 1500cc (fly for ever) All this for \$1,100.00

Call Les Haley (860)536-4082 or e-mail lhaleyrc@aol.com

PLEASE LET ME KNOW IF ANY LISTED ITEMS ARE SOLD

- * 1 HANGER NINE ARF TRAINER COMPLETE WITH O/S 46 ENGINE AND RECEIVER, READY TO FLY
- * 1 LUCKY STICK ARF COMPLETE WITH THUNDER TIGER 42 ENGINE AND RECEIVER, READY TO FLY
- * 1 NEW IN BOX FUTABA 6EXA, 6 MODEL MEMORY, AND A FUTABA SKYSPORT FOUR TRANSMITTER.
- * 1 AIRPLANE FIELD BOX WITH 12 VOLT POWER PANEL
- * ASSORTED TOOL:
 - 12 VOLT BATTERY AND STARTER, 2 RECHARGEABLE NICAD GLOW STARTERS
 - HAND FUELER AND 1 GALLON OF FUEL , VOLTMETER, 2 EXTRA RECEIVER BATTERIES
 - 2 ADDITIONAL BOXES OF SPARE PARTS, PROPS AND NEW SERVOS
 - TOO MANY EXTRAS TO LIST

INVESTED OVER \$1000 FOR ALL, ASKING \$800.00 O.B.O.

CONTACT JOHN STEWART 889-0510

2 Futaba 6DA's one with 4 servos and one with 5, one used half a season and one is brand new (all boxes and manuals.) 3 MDS engines one 40 used half a season one 48 brand new one 68 brand new (these engines are awesome powerhouses) Tower heat gun, pro seal covering iron, trim seal tool. Prop balancer, hotshot glow starter. fuel pump, 3 drawer flight box with power panel and battery, electric starter, & many extras like wheels, bolts. T-bar sanders drill bits and taps, hobbico bit and wrench set and open end wrenches etc.. A big multi drawer and compartment tool box. This stuff was used a half of season and much of it is new. Also have a JR 631 transmitter with charger (sold the servos and rx with plane) also a Royobi detail sander. Many odds and ends. Asking \$700.00 for the lot and will entertain offers.

Contact Dave Guarneri 860-376-3537 .or e-mail: ctdaveis@yahoo.com

. Email for more info and photos opal32@midtel.net

I can deliver for a fee with in a few hundred miles, or we can meet 1/2 way, arrangements can be worked out, I don't want to mail this, the wing is big.

Special thanks to Bill Fishman at Rapid Press for printing our newsletter. If you have a big print job call him at 203-348-8884.

EVENTS FOR 2006

- June 10-11 Berringer Memorial Contact Fred Meyer 860-445-7694
- July 22-23 Henry Struck Memorial Contact Jorge Cintron 860-536-9704
- August 13 Neighborhood Fun Fly Contact Ray Knieriem 860-887-2743
- August 26 Club Fun Fly Contact John Banks IV 860-434-0804
- Sept 9-10 Helicopter Fly-In Contact Eric Ehrenfels 860-501-0437
- District I fun fly open to all District AMA members TBD



RC Propbusters

New England
Am AMA Chartered Club
Founded in 1936



MEMBERSHIP APPLICATION/RENEWAL

INSTRUCTIONS: PLEASE FILL OUT THIS FORM COMPLETELY AND SUBMIT IT WITH THE APPROPRIATE DUES TO THE CLUB TREASURER. THE SECRETARY WILL VERIFY YOUR AMA CURRENCY AND YOU WILL BE MAILED YOUR MEMBERSHIP CARD. IF YOU HAVE A CURRENT AMA MEMBERSHIP CARD WITH YOU, YOUR RC PROPBUSTERS MEMBERSHIP CARD CAN BE ISSUED AT THE CLUB MEETING HELD PER THE NEW SCHEDULE CONTAINED IN THIS NEWSLETTER.

MAIL TO: BERNIE LISKOV, 33 PEPPERBOX ROAD, WATERFORD, CT, 06385

PLEASE NOTE YOU MUST SEND A COPY OF YOUR 2006 AMA CARD WITH YOUR APPLICATION.

DUES: \$50.00 PER UNTIL THE FEBRUARY 2005 MEETING, THEREAFTER \$55.00. JUNIOR AND SENIOR MEMBERSHIPS ARE \$5.00. SENIOR >65 ON JULY 1ST, JUNIOR <18 ON JULY 1ST.

NAME: _____

ADDRESS: _____

CITY: _____

ST/ZIP: _____ / _____

PHONE: _____

FAX: _____

E-MAIL: _____

AMA No. _____

CLASS (CHECK ONE):

OPEN ()

JUNIOR () DOB _____

SENIOR () DOB _____

L.M ()

C.M ()

PLEASE LIST THE RADIO CHANNELS YOU USE:

I FLY (CHECK ALL THAT APPLY): AIRPLANE () HELICOPTER () GLIDER ()

I AM AN INSTRUCTOR: YES () NO () **I NEED AN INSTRUCTOR:** YES () NO ()

PRIMARY AREAS OF INTEREST: SPORT () SCALE () PATTERN () IMAA ()

GAS () ELECTRIC () COMBAT () OTHER ()

DESCRIBE OTHER INTERESTS OR PROGRAMS YOU WOULD LIKE TO SEE IMPLEMENTED:

I hereby agree to abide by all ama rules and rc propbuster by-laws. i will follow all field safety procedures the published rules of etiquette while flying at a club field.

SIGNED: _____ **DATE:** _____

DO YOU WANT TO RECEIVE THE NEWS LETTER VIA POSTAL () E-MAIL () OR BOTH ()?

OFFICIAL USE ONLY

AMA CITED: _____

MONEYS COLLECTED

CARD SENT: _____

DUES: \$ _____

COMMENTS:

DONATION: \$ _____

TOTAL:

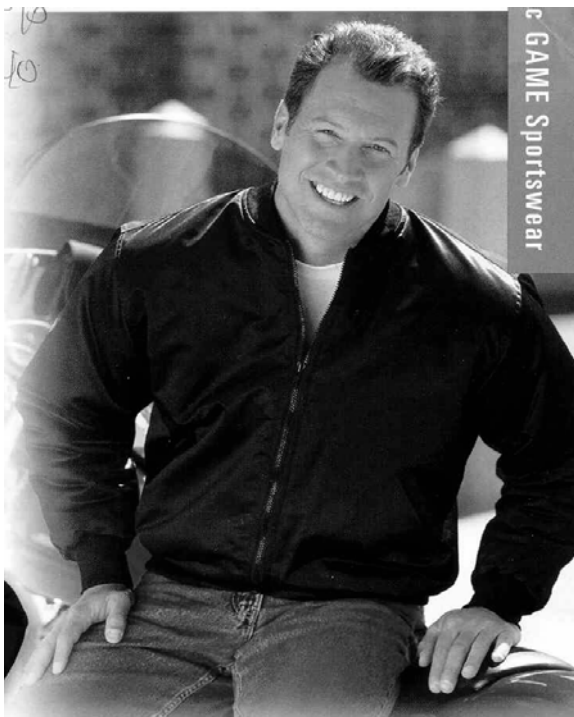
\$ _____

Order Form for New Club Jackets

The club is ready to accept orders for new Club Jakets. The jacket is a baseball warm up type good for spring and fall flying.

If you are interested please fill out this form and bring it to the next club meeting March 21st @ 7:00 PM at the Salem Library on route 85., or mail to Jacket Holmgren, 242 Lynch Hill Road, Oakdale, CT 06370. You can also e-mail a filled out form to Bernie Liskov at bliskov@myeastern.com & send a check to;

Ron Czikowsky, 38 Cedarwood Lane, Old Saybrook, CT 06475.



Zipper Jacket, quilt-lined pro-satin zipper front. High quality Cap.

**jacket \$73.15/pc with Club Logo
Embroidery on back & Your Name on the front.**

Cap with Club Logo \$11.40

**Size: () () () () ()
S M L XL XXL**

**() () () ()
3XL 4XL 5XL CAP**

Amt Encl: \$_____

BLACK JACKET WITH YELLOW EMBROIDERY

If we can get commitments for 24 jackets the prices will be reduced by 20%.

Jacket \$58.52

Cap 9.12

We need to know if you are interested and want to order a jacket before any commitment is made. Quantity ordered will determine if we can get a discount.

If we get 24+ orders you will be reimbursed for the difference.

Minutes of Feb 2006 Meeting

The February 21, 2006 meeting of the RC Propbusters was called to order At 7:00 PM with 22 members present. The minutes of the January meeting were read by Bernie Liskov and accepted as read. The treasurers' monthly and yearly report was read by Ron Czikowsky as is as follows. For the year the beginning balance was \$8,766.94. Income was \$5261.00. Expenses were \$3856.24. The final balance was \$10,171.70. For the month of January, The opening balance was \$10,171.70. Income was \$910.00 and expenses were \$761.48. The ending balance was \$10,322.22. The report was accepted as read.

Unfinished Business:

Fred Meyer has sent emails to members with information about the proposed purchase of sports style warm up jackets and new club hats. These jackets are black with yellow embroidery of the club logo on the back and the owners name on the front. There is a one time setup charge of \$3.75 for the name, \$75.00 for the club logo on the jacket, and \$30.00 for the hat. The jackets in quantities of less than 25 cost \$73.15 and in quantities of 25 or greater will cost \$58.52. Similarly the hats are \$11.40 and \$9.12. Jack needs to know how many of you are interested so please call him at 848-2078. About 14 of the 22 members present at the February meeting were interested. George Cintron displayed a jacket that H & H Hobbies had bought. It was a jacket similar to the yellow jackets we purchased several years ago. The cost is \$40.00 per jacket with a \$200.00 setup charge.

Also under unfinished business, Bill Mares is still looking into creating a kind of bill of material for food and drink purchases for the events this year.

New Business:

Dennis Duplice suggested spring cleanup dates of April 9 or 22. The 22 was decided upon. Ron Czikowsky suggested that if the ground dries up too soon, we should roll the field ahead of that date. If so, the roller startup crew will tackle the job. It was noted that the field is in excellent shape and will not need much work. Bring cheap paint brushes to waterproof the tables and reels.

Dennis Duplice brought up a discussion about donating \$300.00 to the library for the use of the meeting room which is what we used to pay the church. Jack Holmgren made a motion for same and it was passed.

Fred asked if anyone is interested in writing a history of the club. Ed Avenas' name came up as an excellent source of information.

Dick Wilkins announced that Odeta Campground was interested in inviting members of the club to perform a float plane demonstration on June 6 this year. Anyone with a float plane should get in touch with Dick at 434-1211.

In a further discussion about the upcoming events Dennis wants to know what all of the typical items are that must be purchased to put on an event. He would like those who help out to produce a report for each event.

The club charter has been renewed for 2006.

A motion was passed to Give Bill Fishman of Rapid Print a free membership to the Propbusters as thanks for printing the club newsletter at no cost.

Good and Welfare:

Paul Marsden was voted in as a new Member. There was no model of the month. George Cintron has sent in the sanction for the Henry Struck event.

The meeting was adjourned at 7:55 PM.

Submitted by: **Bernie Liskov** - Secy